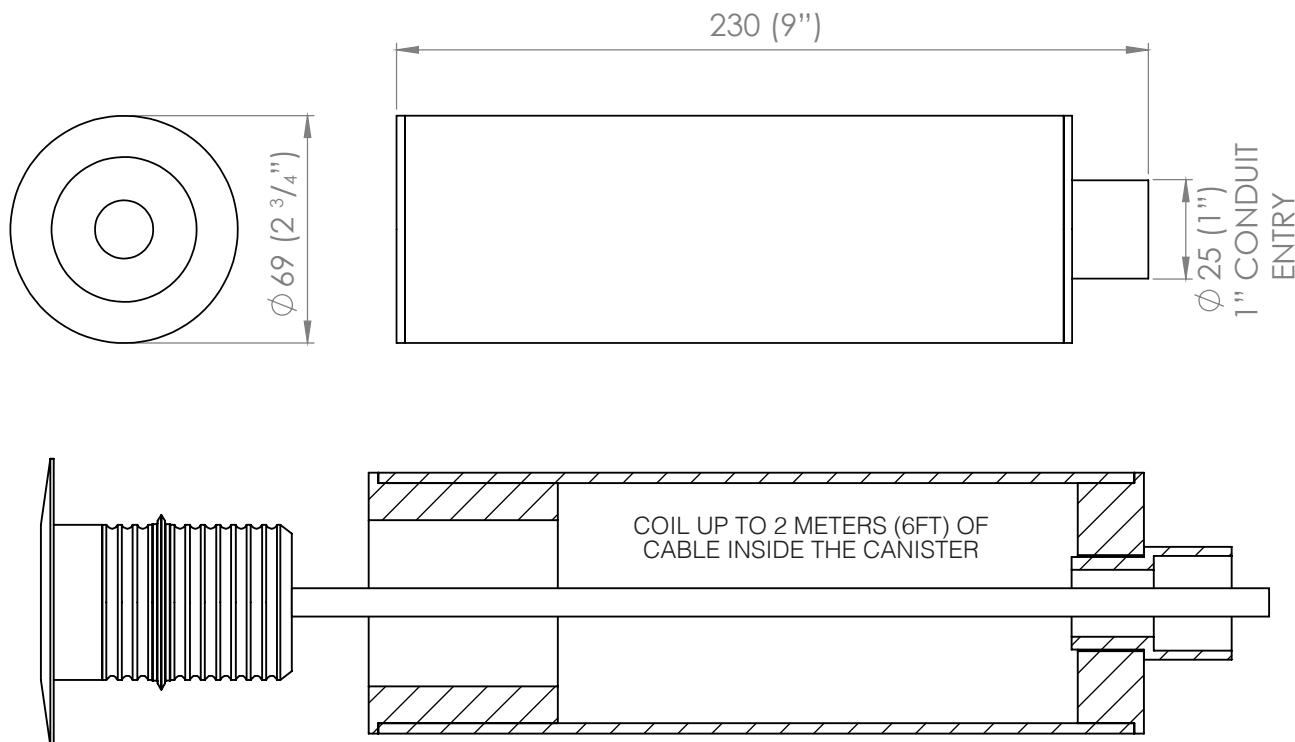


M2 & M4 RECESSED POOL CANISTER INSTALLATION GUIDE



LUXR RANGE PVC CANISTER

NOTE: THESE INSTRUCTIONS MUST NOT CONTRAVENE YOUR LOCAL ELECTRICAL AUTHORITY REGULATIONS, WITH WHICH ALL INSTALLATIONS HERE IN MUST COMPLY

Existing Installations - Cut an appropriate sized hole in the mounting surface for the canister using the dimension guide to the top of this page. Apply epoxy/concrete in the hole and fix the canister in place. The flange should then recess flush with the mounting surface.

New Installations - Apply PVC cement to the canister and roll it in sand, this creates a key for the plaster/cement to adhere to the canister. Attach the PVC canister to the metal reinforcing. The canister is then plastered/concreted into position completely encapsulating the PVC canister on all sides except the opening where the luminaires fit. The flange should then recess flush with the mounting surface.

All recessed LuxR fixtures come with a conduit seal. Once the canister is fixed in place and the electrical termination complete. Simply push the fixture into the canister. The conduit seal will hold it firmly in place.

THESE PRODUCTS ARE LOW VOLTAGE, TWO CONDUCTOR WET NICHE LED SWIMMING POOL AND SPA LUMINAIRES FOR USE WITH AN ISOLATED LOW VOLTAGE POWER SUPPLY FOR POOL USE.

RECOMMENDATION

LuxR can provide a pool and pond transformer for this product in the USA. Please visit our website for details.

