

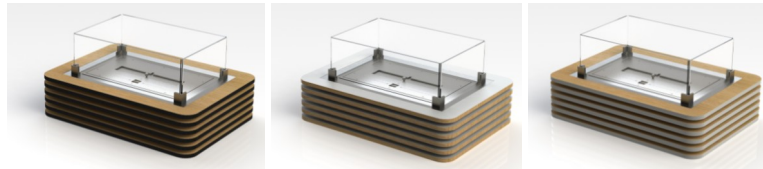
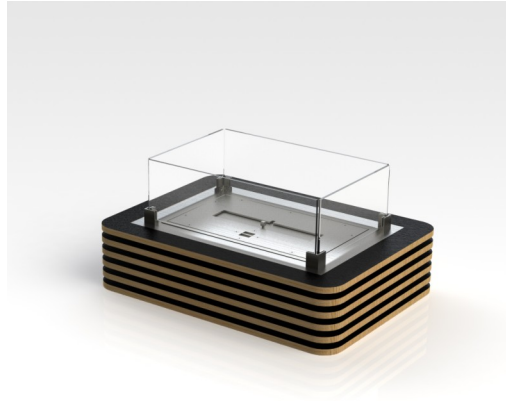
GlammFire

# Milwood

## Concept

**Materials**// Oak veneer

**OP**// white-oak/ oak-white/ black-oak/ oak-black



With deep inspiration in the simpler side of nature Milwood is a model with refined touch and clean lines.

With softness the parallel combination of oak wood layers stands firm in its design, creatively enhanced by the use of neutral colours.

Inspired yourself by your new centrepiece.

**Dimensions**// 261 h x 550 w x 400 d mm

**Weight**// 13 kg

**Protection**// temperature resistant glass

**Burner II**// 2 litres (liquid bioethanol)

**Power**// 3,40 kW

**Burning time**// Position min. 2 litres/ 8h

Position med. 2 litres/ 6h

Position max. 2 litres/ 4h

/CO detector included

## GlammFire

Recuperadores Pachinha Lda.  
Zona Industrial da Lagoa, Lote G1  
4950-850 CORTES - MONÇÃO  
PORTUGAL

Tel(+351) 251 654 800  
Fax(+351) 251 654 801  
info@glammfire.com  
www.glammfire.com

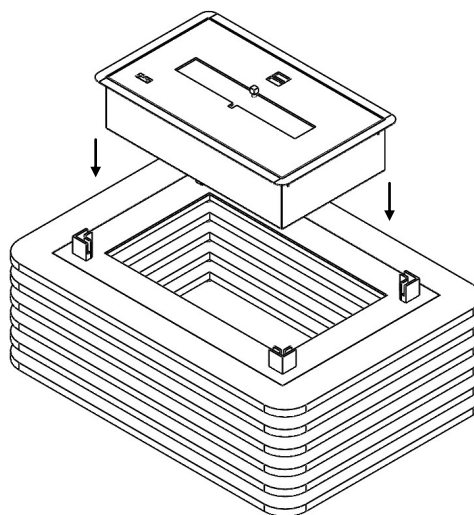
*glamm*<sup>®</sup>  
fire

GlammFire

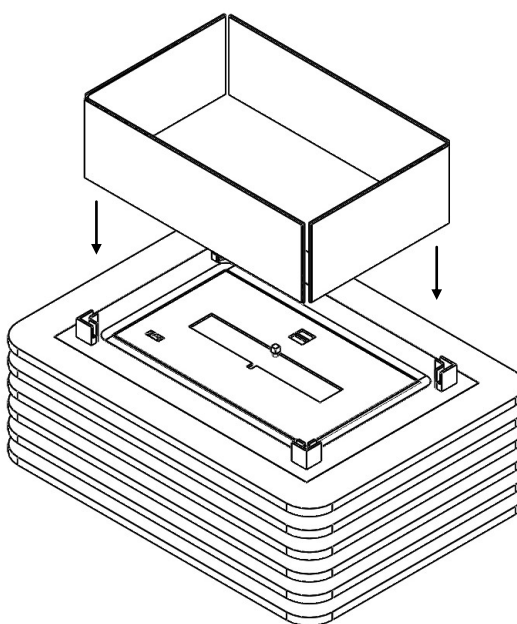
# Milwood

## Installation procedures

1- Put the burner into the fireplace;



2 - Put the high temperature glass .



GlammFire

Recuperadores Pachinha Lda.  
Zona Industrial da Lagoa, Lote G1  
4950-850 CORTES - MONÇÃO  
PORTUGAL

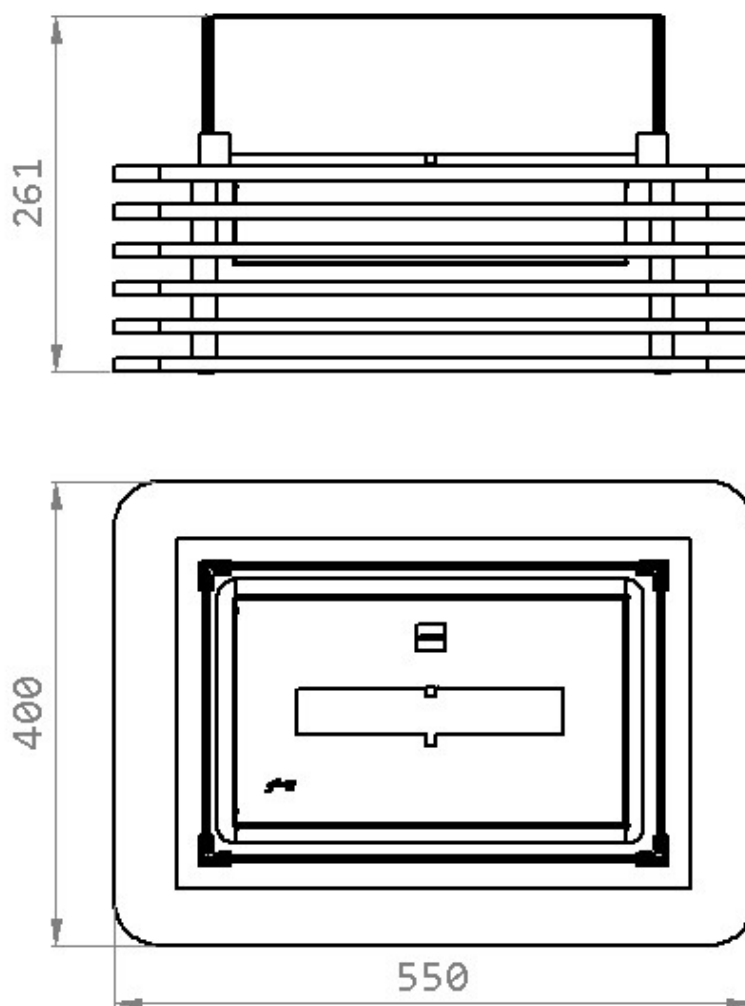
Tel(+351) 251 654 800  
Fax(+351) 251 654 801  
info@glammfire.com  
www.glammfire.com

*glamm*<sup>®</sup>  
fire

GlammFire

# Milwood

Dimensions



GlammFire

Recuperadores Pachinha Lda.  
Zona Industrial da Lagoa, Lote G1  
4950-850 CORTES - MONÇÃO  
PORTUGAL

Tel(+351) 251 654 800  
Fax(+351) 251 654 801  
info@glammfire.com  
www.glammfire.com

*glamm*<sup>®</sup>  
fire

PT02957-A