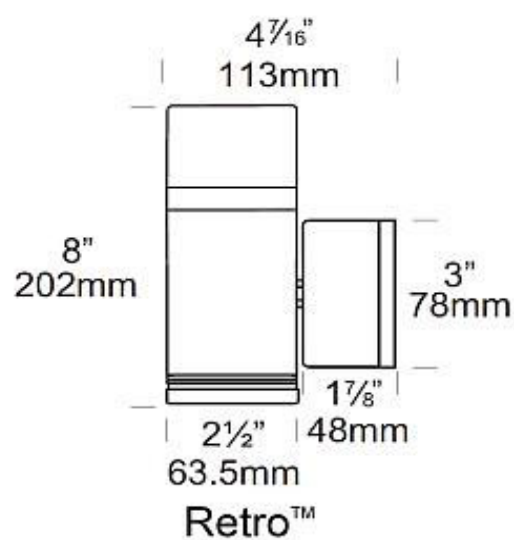
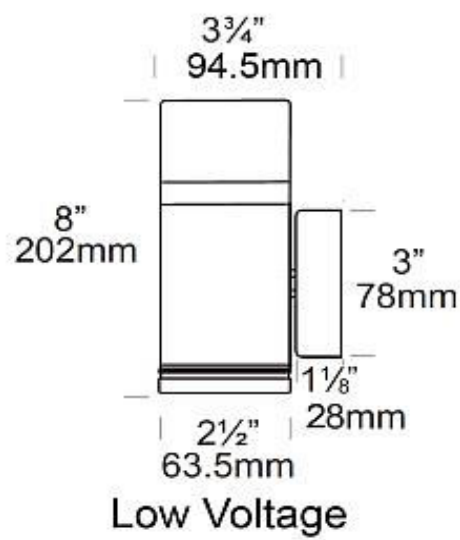


Dual Liter
PURE LED
 Cat. No. PILPGL/L



PURE LED
 Pure Performance



UK & European Specification

The Dual Liter PURE LED - also referred to as the Pillar Pagoda Pagoda Lite - can be used to produce a general lighting effect, as well as use for general uplighting or downlighting.

This luminaire is machined from a choice of 10mm solid aluminium with a UV stable power coated finish, solid copper or 316 stainless steel.

The Hunza PURELED system uses the latest Cree MTG-2 LED chips for maximum performance and long life. Power supply options include a choice of integral 12 volt driver, an integral Retro™ 110/240 volt driver or an external remote driver. The integral Retro driver has a 0-10 volt dimming function. PURELED incorporates an innovative Plug-and-Play system for easy replacement or upgrade of either the LED engine or integral driver.

The Retro™ version is ideal for installations where mounting an external power source is a problem, e.g. on a brick wall where there is no space to recess the driver. The base size increases in depth to accommodate the encapsulated IP66 dimmable driver.

*At 700mA this fitting is the equivalent of a 35w halogen fitting.
 *At 1050mA this fitting is the equivalent of a 50w halogen fitting.

Ordering Information

Luminaire	Driver mA	Colour Temp	Accessories	Material/Finish
PILPGL/L	S - Series	3 - 3000K	LENSBOLOP - Opal Lens	BK - Black
	D7 - 12v 700mA	4 - 4000K	WBAP - Wall Box Adapt	BZ - Bronze
	D10 - 12v 1050mA			GN - Green
	RE - 240v Retro			STAR - Silver Star
	RU - 110v Retro			WH - White
				WB - Birch
				DG - Dark Grey
				OG - Olive Green
				RG - Beige
				PR - Primrose

Example: **PILPGL/L S 3 LENSBOLOP BK**

Luminaire Construction
CNC machined from the following metal:
Aluminium: Body: High corrosion resistant 63.5mm (2.5") x 10mm (25/64") aluminium.
Base & Mounting Plate: Cast from virgin high corrosion resistant CC401 low copper aluminium alloy with chromate substrate and high UV resistant polyester powder coat – Black, Bronze, Green, Silver Star, White, Birch, Dark Grey, Olive Green, Beige, Primrose.
Copper: Body: 63.5mm (2.5") x 10mm (25/64").
Base: Hand Spun Copper 2mm (5/64")
Mounting Plate: Forged Brass (Retro™)
Stainless Steel: Body: 63.5mm (2.5") x 9mm (11/32") rod
Base: Investment cast and CNC machined
Mounting Plate: Investment cast and CNC machined (Retro™)
Luminaire Weight
<i>12 volt</i> Alum: 0.860kg (1lb 14oz) Cop: 1.900kg (4lb 3oz) SS: 1.800kg (3lb 15oz)
<i>Retro™</i> Alum: 1.200kg (2lb 10oz) Cop: 2.200kg (4lb 10oz) SS: 2.100kg (4lb 10oz)

Features
Lens: UV stable clear polycarbonate with stainless anti-glare mesh. 10mm (3/8") thick clear "flush fit" shatter resistant glass. Life time warranty.
Gasket: Silicone, iron impregnated 220°C (428°F)
Accessories: Opal Lens (Cat.LENSBOLOP) Wall Box Adaptor (Cat. WB)
Mounting: 12 Volt: The luminaire is mounted to the wall using two 316 stainless screws through a shallow base 16mm (5/8") in depth.
Retro™ luminaire (110/240-12volt): a mounting plate is fixed to the wall using two screws and the luminaire is fitted to the mounting plate.

Technical Information
Standards AS/NZS61046 IP66 UL1838
LED (per head) Cree MTG-2 Plug and Play, field replaceable LED board.
Lumen Output: 510 lm at 1050mA
Lumens Per watt: 85 at 6watts
CRI Warm White (3000k): 85+
Colour Temp: 3,000 or 4,000K
Power Supply
Series (External) Driver (per head) Constant current driver Output: 6vdc at 1050mA maximum
Integral 12 Volt Driver Hunza™ Plug and Play Driver Input: 12vac, 7 watt total Output: 6vdc nominal, 350 / 700 / 1050mA
Transformer Hunza™ Wall Mount Transformer for use with integral 12 volt driver
Retro 110/240 Volt Driver Hunza™ Retro Driver Input: 120/240vac, 5 watt total Output: 6vdc, 700mA 0-10 volt dimming