

Pagoda Lite

Cat. No. PGL
 Cat. No. PGL/FL
 Cat. No. PGL/R
 Cat. No. PGL/GU

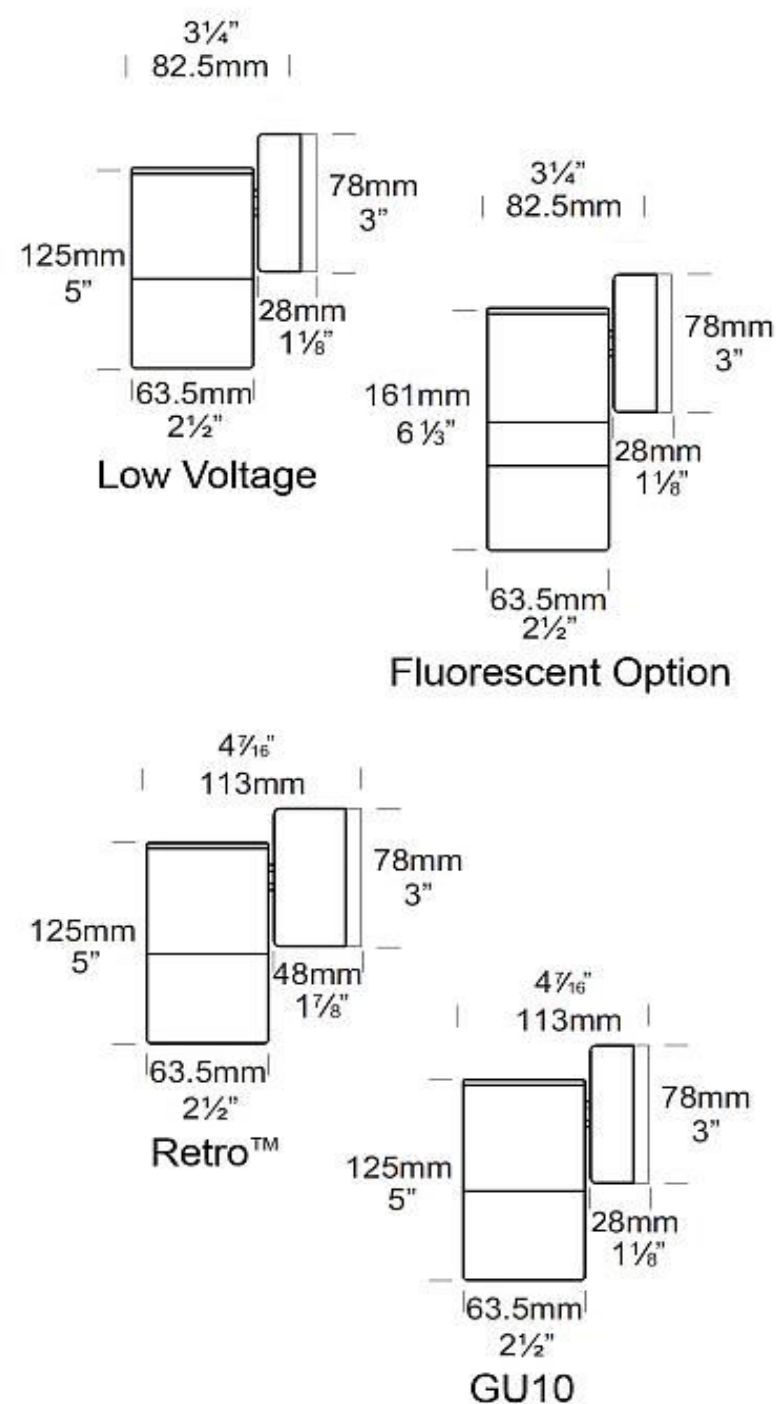


UK & European Specification

The Pagoda Lite produces a general lighting effect. This luminaire is not for directional lighting. The lens is manufactured from high quality UV stable polycarbonate with stainless anti-glare mesh.

The Retro™ is a 110/240-12 ac mains option suited to an installation where mounting a transformer is a problem, e.g. a brick wall where there is only the cable protruding out of the wall and it is not an option to recess the transformer or when replacing an existing light fitting. The base size increases in size to accommodate the encapsulated IP66 dimmable transformer.

A 110/240 volt fluorescent option is available which offers excellent light output, low energy usage and very low heat generation, this changes the luminaire to an IP66 rating.



Ordering Information

Luminaire	Material/Finish	Accessories
PGL - Pagoda Lite	BK - Black	CJK - Cable joint Kit
PGL/fl - Fluorescent option	BZ - Bronze	FL - Fluorescent option
PGL/R - Retro	GN - Green	/R - Retro Transformer
PGL/GU - GU10	STAR - Silver Star	110 /240-12 Volt
	WH - White	WBAP - Wall Box Adaptor Plate
	COP - Copper	
	SS - 316 Stainless Steel	

Example: **PGL BK**
 (Accessories ordered separately)

Luminaire Construction

CNC machined from one of the following metals:

Body: High corrosion resistant low copper 63.5mm (2½”) x 10mm (25/64”) aluminium.

Base & Mounting Plate: Cast from virgin high corrosion resistant CC401 low copper aluminium alloy chromate substrate and high UV resistant polyester powder coat - Black, Bronze, Green, Silver Star, White.

Copper: Body 63.5mm (2½”) x 10mm (25/64”).

Base: Hand spun Copper 2mm (5/64”).

Mounting Plate: Forged brass (Retro™)

316 Stainless Steel: Body 63.5mm (2½”) x 9mm (11/32) rod.

Base: Investment cast and CNC machined.

Mounting Plate: Investment cast and CNC machined (Retro™).

Mounting

12 volt: the luminaire is mounted to the wall using two 316 stainless screws through a shallow base 16mm (5/8”) in depth. A Wall Box Adaptor Plate is available as an accessory. Retro™ luminaire (110/240-12 volt): a mounting plate is fixed to the wall using two screws and the luminaire is fitted to the mounting plate.

Features

Lens:

UV stable clear polycarbonate with stainless anti-glare mesh.

Gaskets:

Silicone, iron impregnated 220°C (428°F)

Lamp Holders:

G4 - 350°C (662°F) ceramic multi contact lamp holder with 250°C (480°F) teflon cables.

Fluorescent:

E27 PET 210°C (410°F) base mount.

Accessories:

Cable Joint Kit (Cat. CJK150).

Fluorescent Option 8 watt 240 volt (Cat. FL).

Retro™ Transformer 110/240-12 volt (Cat. /R).

Wall Box Adaptor Plate (Cat. WBAP).

Standards

IP66 AS/NZS61046 UL1838

Luminaire Weight

12 volt

Alum .510kg (1lb 1oz)

Cop 1.220kg (2lb 11oz)

SS 1.120kg (2lb 7oz)

Retro™

Alum .840kg (1lb 13oz)

Cop 1.500kg (3lb 4oz)

SS 1.460kg (3lb 3oz)

Power Supply

12 volt

HUNZA™ Inground or HUNZA™ Wall Mount Transformer: not included.

RETRO™

HUNZA™ 110/240-12 volt ac silicone encapsulated electronic transformer built into the Retro base. Dimmable with a suitable dimmer.

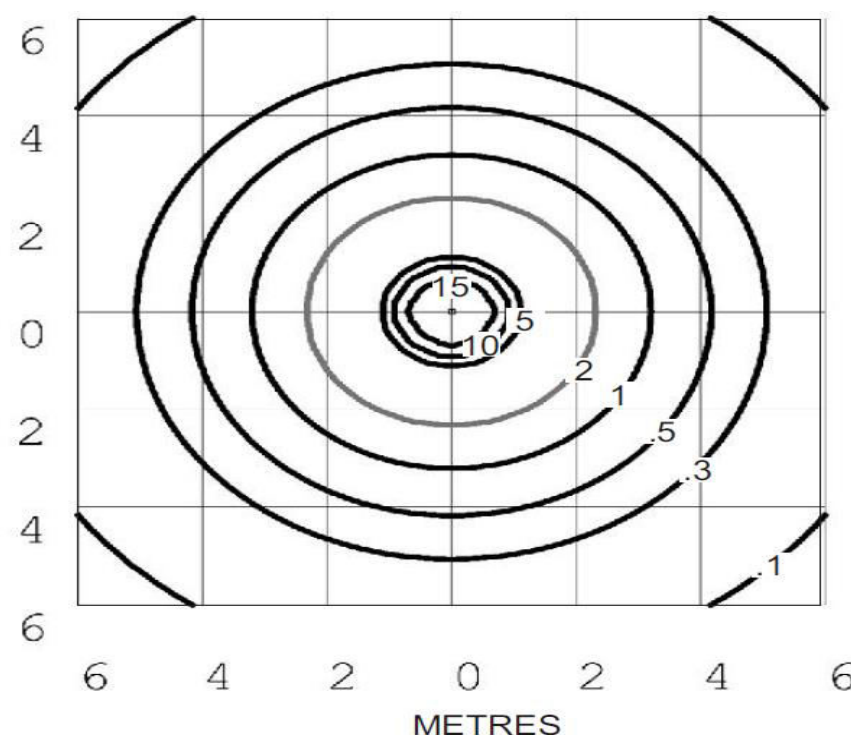
Supplied With

G4 Bi-Pin 5, 10, 20 watt lamp max.

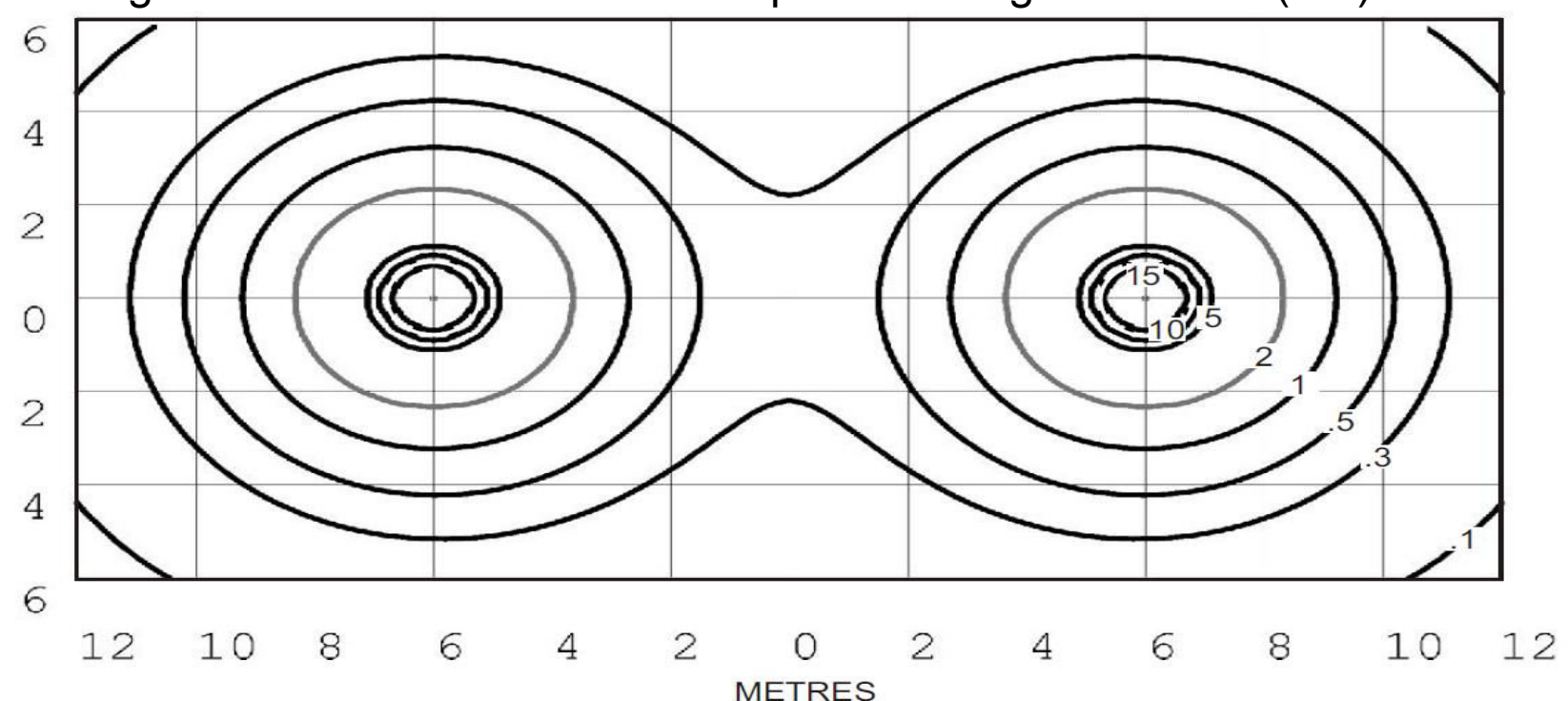
Fluorescent

E27 - 110/240 volt self ballasted

lamp.



Pagoda Lite G4 20 watt Bi-Pin lamp - Lens height 1600mm (63”)



Isolux Lumens Plot - Footcandles = Isolux figures divided by 10.76