

Twin Wall Spot

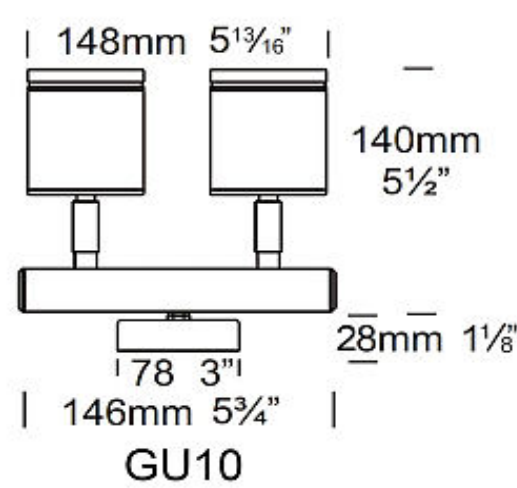
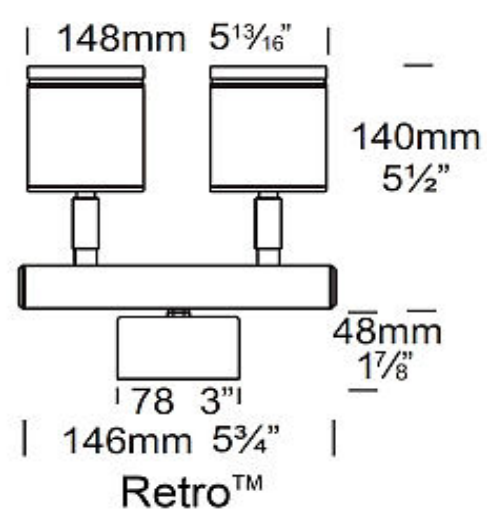
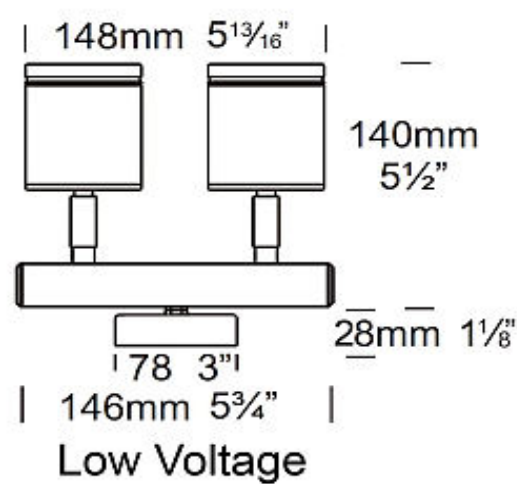
Cat. No. TWS
 Cat. No. TWS/R
 Cat. No. TWS/GU



UK & European Specification

The Twin Wall Spot is a wall-mounted luminaire with two fully adjustable heads, each allowing 360 degree rotation and 0 - 90 degree elevation. This luminaire has been designed to be mounted on walls and provide directional light for pathways and structural elements of a building.

The Retro™ is a 110/240-12 ac mains option suited to an installation where mounting a transformer is a problem, e.g. a brick wall where there is only the cable protruding out of the wall and it is not an option to recess the transformer or when replacing an existing light fitting. The base size increases in size to accommodate the encapsulated IP66 dimmable transformer.



Ordering Information

Luminaire	Material/Finish	Accessories
TWS - Twin Wall Spot	BK - Black	CJK - Cable joint Kit
TWS/R - Retro	BZ - Bronze	LENSSTPEPF - Frosted Lens
TWS/GU - GU10	GN - Green	GG - Glare Guard
	STAR - Silver Star	HCL - Hex Cell Louvre Adaptor
	WH - White	/R - Retro Transformer
	COP - Copper	110 /240-12 Volt
	SS - 316 Stainless Steel	WBAP - Wall Box Adaptor Plate

Example: **TWS BK**

(Accessories ordered separately)

Luminaire Construction

CNC machined from the following metals:

Body: High corrosion resistant low copper 63.5mm (2½") x 10mm (25/64") aluminium. End cap - solid aluminium 63.5mm (2½") rod.

Base & Mounting Plate (Retro™): Cast from virgin high corrosion resistant CC401 low copper aluminium alloy chromate substrate and high UV resistant polyester powder coat - Black, Bronze, Green, Silver Star, White.

Body: Copper 63.5mm (2½") x 10mm (25/64). End cap - solid copper 63.5mm (2½") rod.

Base: Copper Hand spun 2mm (5/64").

Mounting Plate: Forged brass (Retro™).

Body: 316 Stainless Steel 63.5mm (2½") x 10mm (25/64) rod.

End cap - 316 stainless steel 63.5mm (2½") rod.

Base: Investment cast and CNC machined.

Mounting Plate: Investment cast and CNC machined (Retro™).

Mounting

12 volt: the luminaire is mounted to the wall using two 316 stainless screws through a shallow base 16mm (5/8") in depth. A Wall Box Adaptor Plate is available as an accessory. Retro™ luminaire (110/240-12 volt): a mounting plate is fixed to the wall using two screws and the luminaire is fitted to the mounting plate.

Features

Lenses:

7mm (¼") thick clear tempered shatter resistant glass.

Life Time Warranty.

Gaskets:

Silicone, iron impregnated 220°C (428°F)

Lamp Holders:

GU5.3 - 350°C (662°F) ceramic multi contact lamp holder with 250°C (480°F) teflon cables.

Accessories:

Cable Joint Kit (Cat. CJK150).

Frosted Lens (Cat. LENSSTEPF).

Glare Guard (Cat. GG).

Hex Cell Louvre Adaptor (Cat. HCL).

Retro™ transformer 110/240-12 volt (Cat. /R).

Wall Box Adaptor Plate (Cat. WBAP).

Swivels: **Aluminium** and **Copper** luminaires - 360° rotation and 0 - 90° elevation, solid brass with anti rust spring.

Stainless Steel luminaires - 360° rotation and 0 - 90° elevation, full stainless steel construction.

Standards

IP66 AS/NZS61046 UL1838

Luminaire Weight

12 volt

Alum .775kg (1lb 11oz)

Cop 2.230kg (4lb 14oz)

SS 1.750kg (3lb 13oz)

Retro™

Alum 2.650kg (2lb 6oz)

Cop 2.650kg (5lb 13oz)

SS 2.200kg (4lb 13oz)

Power Supply

12 volt

HUNZA™ Inground or HUNZA™ Wall Mount Transformer: not included.

RETRO™

HUNZA™ 110/240-12 volt ac silicone encapsulated electronic transformer built into the Retro base. Dimmable with a suitable dimmer.

Supplied With

MR16 GU5.3 2 x 20, 35 or 50 watt lamps max.

Retro™

MR16 GU5.3 2 x 20, 35 watt max.

