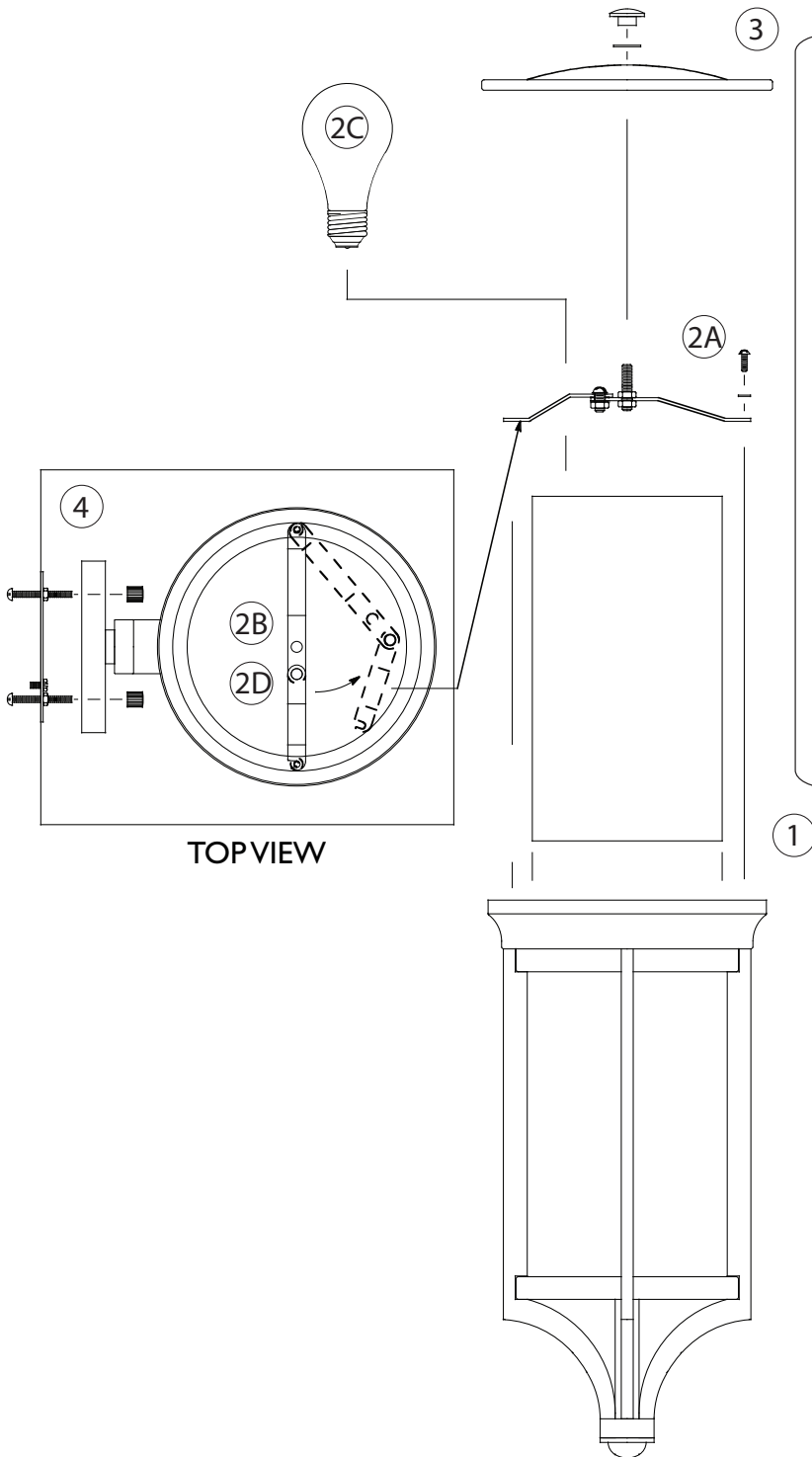


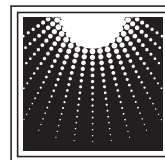
Assembly Instructions For **OL7501, OL7502, OL7504** (E) 5/09



IMPORTANT TURN OFF THE POWER AT THE MAIN FUSE OR CIRCUIT BREAKER BOX BEFORE STARTING INSTALLATION

Carefully unpack and identify all parts before assembly.
Bulbs not included.

1. Gently slip shade inside of lantern until it securely sits inside of bottom ring.
2. A. Install bridge onto top of lantern by fastening with lock washer and short machine screw.
B. Swing the bridge aside.
C. Install light bulb (not included). See relamping label at socket area for type and maximum allowed wattage.
D. Swing back the bridge until it hooks onto screw.
3. Install cover on top of lantern by fastening with rubber washer and finial.
4. Follow enclosed supplement installation instructions for electrical and fixture installation onto house outlet box. If you do not have an outlet box at desired location to attach the fixture than hire a qualified electrician to create one.



**MURRAY
FEISS**
Generation Brands™