

## 4-Channel Lighting Control Module



### Features

- IP66 tough ABS enclosure
- Compatible with all lighting types
- Outputs rated 1000W each
- Smooth on/off option on all 4 outputs
- 2-4 user-dimmable channels
- Earth bonding metal chassis
- Operates wirelessly requires only a mains supply
- Rugged, separately fused outputs
- Fast, *Lid-On* programming

Part No. LS30540LLC

## Description

The Lighting Control Module provides 4 wirelessly controllable channels each rated at 1000W and suitable for all load types, including LEDs. It provides flexible control of dimmable and non-dimmable lighting (or pumps) and is quickly configurable as a simple switch, group (zone) or scene controller, with 29 memories and a master on/off.

Outputs 1 and 2 can be programmed as switched or dimmable outputs. The dimming mode provides a soft-on, soft-off feature with filament pre-heating, which can greatly increase lamp life. By default, Outputs 3 and 4 are switching only but also include the smooth on/off option.

The separately fused outputs are fully protected against over current and over temperature. Large 10mm<sup>2</sup> input cable terminations, standard (20mm) gland cut-outs and an earth bonded gland-chassis simplify installation.

Lid-on programming speeds commissioning and reduces the risk of water ingress during installation.

## Specification

Range	-	1000 metre wireless range line-of-site
Enclosure	-	IP66, UV stable, ABS with non-penetrating mounts translucent lid & neoprene o-ring. Colour RAL7011
RF	-	434.075MHz Narrow Band FM
Coding	-	Security channels 1-32
Power	-	Supply: 230VAC +/-10% 50Hz Standby <1W. Output 1-2 Triac (Leading Edge) rated 1000W each Output 3-4 Triac+Relay rated 1000W, zero-volt switching
Size	-	290 x 290 x 100mm
CE Compliance	-	EN 50081 – 1, To EN 50082 – 1

By default all outputs are non-dimming and suitable for all load types. Dimming can be enabled for each output as shown;

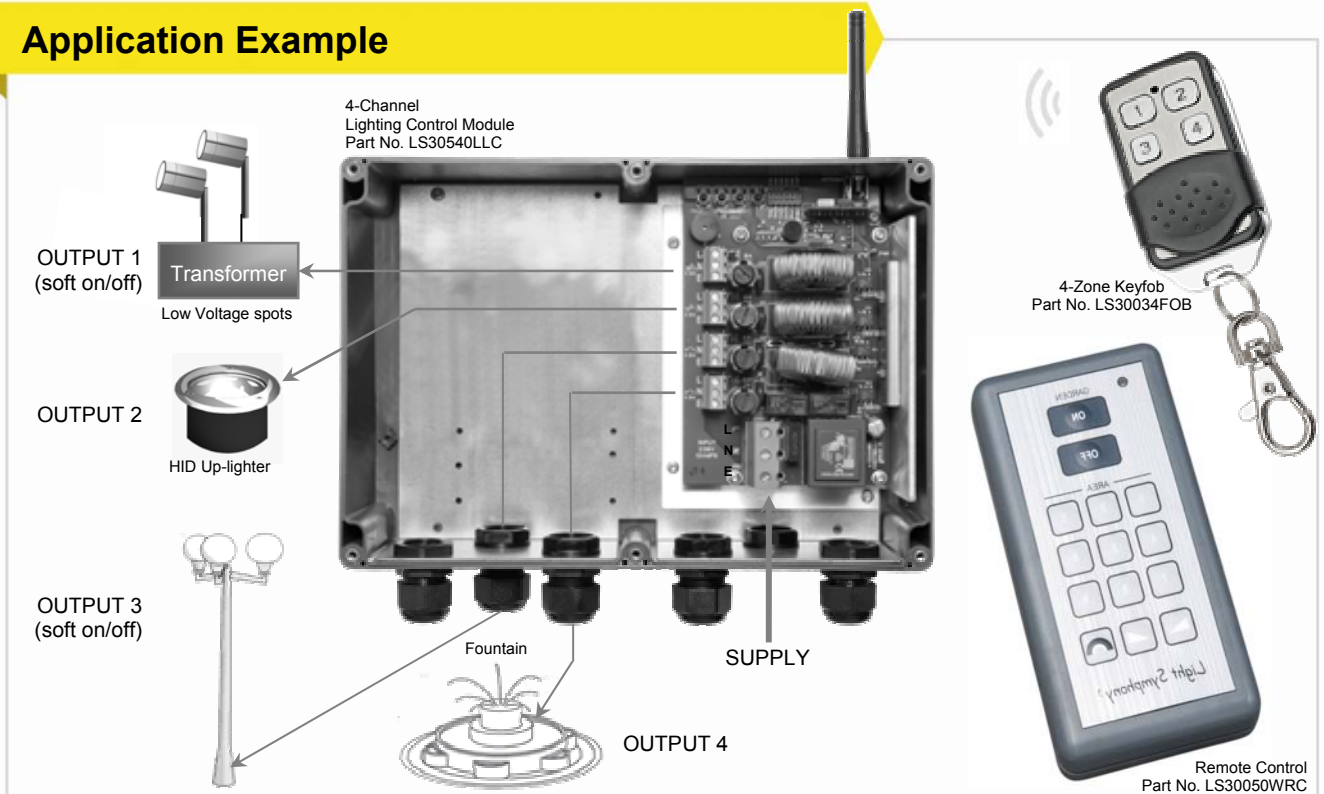
Output	Rating	Option
1	1KW	Dimming*
2	1KW	Dimming*
3	1KW	Smooth on/off
4	1KW	Smooth on/off

Dimming on all outputs may be enabled if the power is limited;

Output	Rating	Option
1	500W	Dimming*
2	500W	Dimming*
3	500W	Dimming*
4	500W	Dimming*

\* includes smooth ramp on/off

## Application Example



## How to use it

The Lighting Control Module (LCM) 'hears' wireless commands from any of Light Symphony's 1000metre controllers, such as the remote control or key-fob pictured above. The Garden On/Off button will switch all outputs together, providing a convenient master control. Outputs can also be separately assigned to 'Areas' (1-29), to provide individual or zoned control.

Four internal switches enable dimming and the soft-on / soft-off feature. By default, only outputs 1 and 2 can be dimmed from the remote, outputs 3 and 4 are not user-dimmable. User-dimming can be enabled on outputs 3 and 4 if all outputs are limited to 500W.

Limitless controllers may be used together to create larger, flexible lighting zones or scenes.

## Accessories

### Dimmable LED Drivers

Up to 3 dimmable LED drivers may be added internally. Select driver(s) to suit LED's requirements. Supplied with mounting brackets.

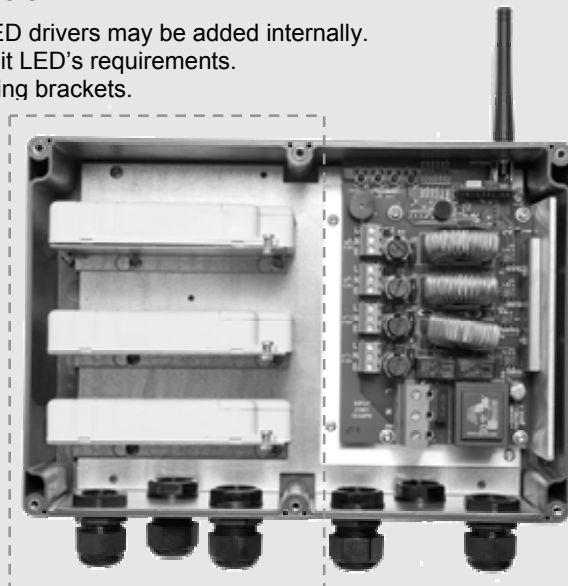
#### Driver options

**350mA, 13.5W**  
Part LS303513CLED

**700mA, 18W**  
Part LS307018CLED

**12V, 19.2W**  
Part LS301219VLED

**24V, 19.2W**  
Part LS302419VLED



### Ground Spike Kit

A pair of adjustable-length, galvanised, steel spikes can be fitted to the Lighting Control Module in place of the supplied wall fixings to provide a convenient ground mounting-method.



Part No. LS30010SPK