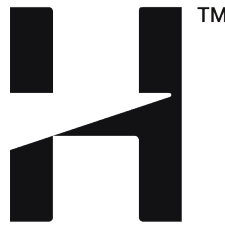
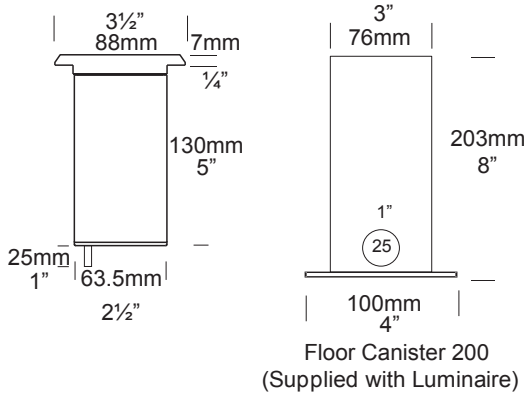


Floor Lite Dark Square Lighter PURE LED

Cat. No. FLDKSQXX/L



PURE LED
Pure Performance



The Floor Lite Dark Square Lighter PURE LED has an MTG-2 chip that is recessed 50mm (2") down in to the body of the luminaire. Along with a hex cell louvre and a matt black interior the luminaire has superior glare control. The Square version of the Floor Lite has an extremely low profile (3mm) and can be walked upon without damaging the luminaire. There are five flange designs: Clover, Cross, Grill, Louvre, (45 degree angle), spot and is supplied with a mounting canister.

The Hunza PURE LED system uses Cree MTG-2 chips for maximum performance and long life. Power supply options include a choice of 12 volt integral or a remote (series connection) driver. The PURE LED system incorporates HUNZA's Plug-and-Play system for easy replacement of either the LED engine or integral driver in the field. Four beam angles, and a choice of a Warm or Cool White colour temperatures are available.

*At 700mA this fitting is the equivalent of a 35w halogen fitting.
*At 1050mA this fitting is the equivalent of a 50w halogen fitting.

Ordering Information

Luminaire	Driver mA	Beam Angle	Colour Temp	Accessories	Material
FLDKSQSP/L	S - Series	15 - 15° TIR Lens	2 - 2700K	CJK150 - Cable Joint Kit	SS - 316 Stainless
FLDKSQCR/L	D7 - 12v 700mA	25 - 25° TIR Lens	3 - 3000K	STEPF - Frosted Lens	COP - Copper
FLDKSQGR/L	D10 - 12v 1050mA	38 - 38° TIR Lens	4 - 4000K	HCL - Hex Cell Louvre	
FLDKSQLU/L		60 - 60° TIR Lens		FLCAN200 - Floor Lite Canister 200	
FLDKSQCL/L				CANSS - Stainless Steel Canister	
				DKCAN - Deck Canister	

Ordering Example: FLDKSQSP/L S 15 3 CJK150 SS

HUNZA™ PURE
OUTDOOR
LIGHTING

HUNZA FACTORY
130 Felton Mathew Ave
Saint Johns
Auckland 1072
New Zealand

Ph: 64-9-528 9471
Fax: 64-9-528 9361
hunza@hunza.co.nz
www.hunza.co.nz

INTERNATIONAL CONTACTS:
www.hunza.co.nz/contacts.php

Specifications may change without notice.
Manufactured in New Zealand.
© 2015 Hunza Holdings Ltd.

Luminaire Construction

CNC machined from one of the following metals:

Body:

316 Stainless Steel 63.5mm (2½") x 9mm (1/3"). End cap - solid 316 Stainless Steel 63.5mm (2½") rod.

Flange:

316 Stainless Steel 90mm (3½").

Luminaire Weight

SS 1.630kg (3lb 10oz)

Features

Lens:

10mm (3/8") extra clear low iron flush fit shatter resistant glass. Lifetime Warranty.

Gasket:

Silicone, iron impregnated 220°C (428°F)

Accessories:

Cable Joint Kit (Cat. CJK150)
Deck Canister (Cat. Dkcan).
Frosted Lens (Cat. LENSSTEPF).
Floor Canister 200 (Cat. Flcan200). 316 Stainless Steel Canister for use in lime stone etc. (Cat. Canss).
Hex Cell Louvre Adaptor (Cat. HCL) (Note: Supplied as standard for USA/Canada).

Mounting

The luminaire is pushed into the canister and is held by two silicone "O" rings: CANSS, FLCAN, FLUCAN: Cast into concrete, brick, concrete block, etc.

DKCAN: mounted into wooden decks, wooden frames, etc.

Technical Information

Standards

AS/NZS 61046
IP56/IP66 UL 1838

LED

Cree MTG-2 Plug and Play, field replaceable LED board.
Lumen Output: 600 at 1050mA
Lumens Per watt: 100 at 6 watts
CRI Warm White (3000k): 85+
Colour Temp: 2700K, 3000 and 4000K

Power Supply

Series (External) Driver

Constant current driver
Output: 6vdc at 1050mA maximum

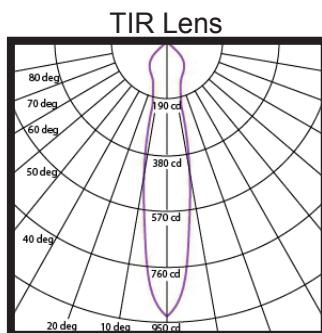
Integral 12 Volt Driver

Hunza™ Plug and Play Driver
Input: 12vac, 7 watt total
Output: 6vdc nominal, 350 / 700 / 1050mA

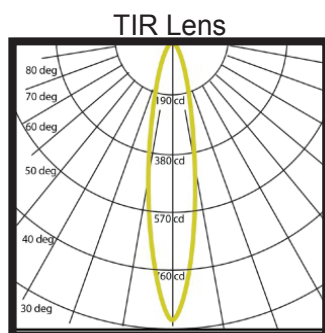
Transformer

Hunza™ Wall Mount Transformer for use with integral 12 volt driver

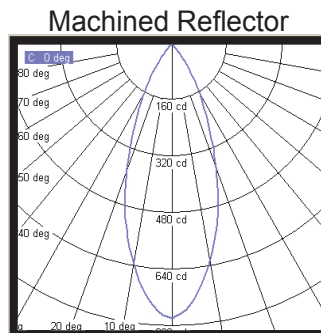
Reflector Beam Angles



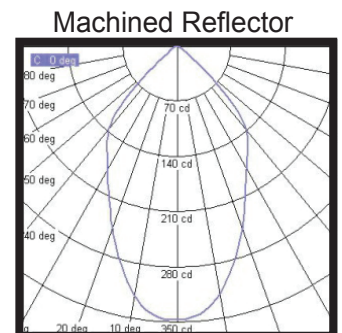
15° Angle
3000 K



25° Angle
3000 K



38° Angle
3000 K



60° Angle
3000 K