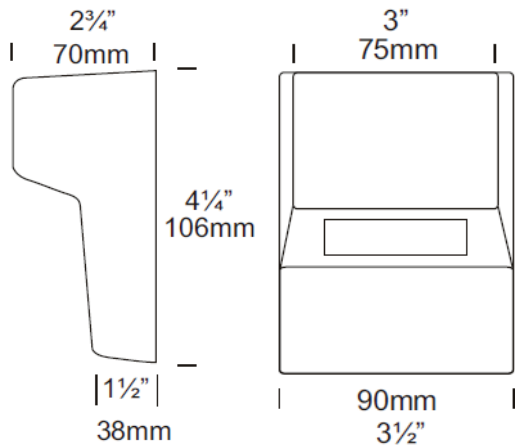


# Mouse Lite Square PURE LED

Cat. NO MOUSESQ/L



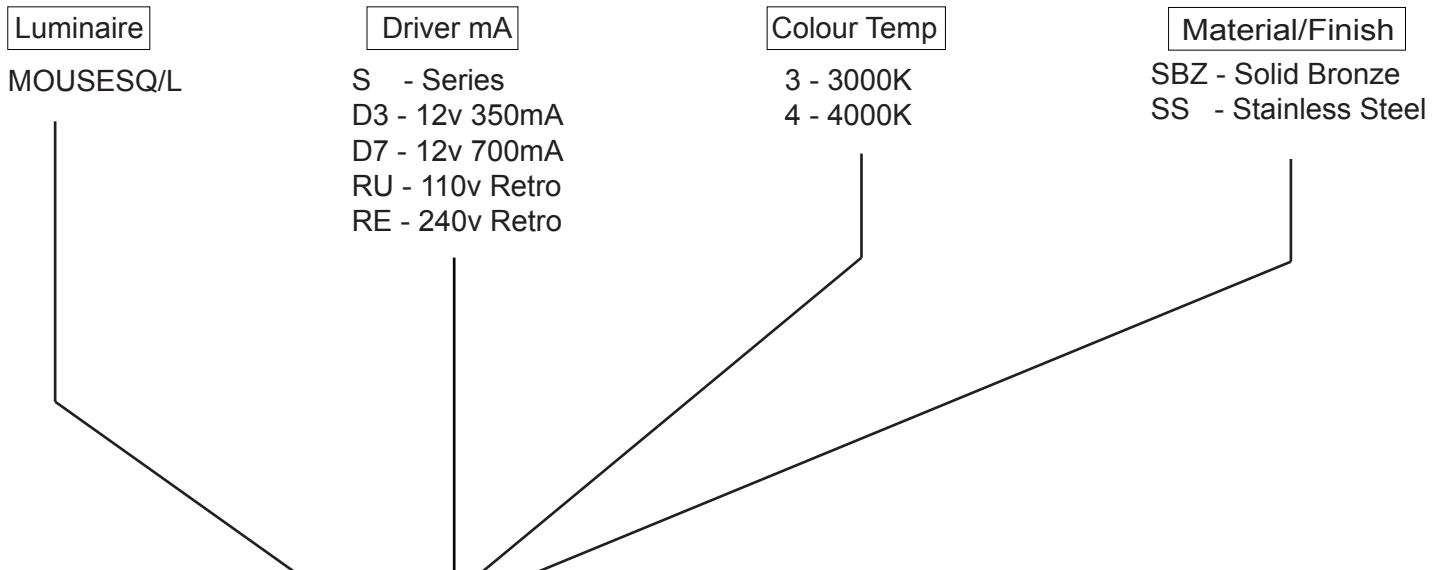
**PURE LED**  
Pure Performance

The Mouse Lite Square PURE LED is a solid bronze or solid 316 stainless steel luminaire designed for vertical surface mounting in gardens and landscapes. The shape is pleasing to the eye and blends unobtrusively into any environment. A space in the wall behind the luminaire is not required for cable connection due to the design which includes a cable joint cavity. There is no light directed upward or forward into the eye. This luminaire features a stainless steel reflector for better light projection.

The Hunza PURE LED system uses the latest Cree XTE LED chips for maximum performance and long life. Power supply options include a choice of integral 12 or 120/240 volt (Retro) drivers or an external remote (series connection) driver. The PURE LED system incorporates an innovative Plug-and-Play system for easy replacement or upgrade of the LED engine.

\*At 350mA this fitting is the equivalent of a 25w halogen fitting.  
\*At 700mA this fitting is the equivalent of a 35w halogen fitting.

## Ordering Information



Ordering Example: MOUSESQ/L S 3 SS

**HUNZA**™ PURE OUTDOOR LIGHTING

HUNZA FACTORY  
130 Felton Mathew Ave  
Saint Johns  
Auckland 1072  
New Zealand

Ph: 64-9-528 9471  
Fax: 64-9-528 9361  
hunza@hunza.co.nz  
www.hunza.co.nz

INTERNATIONAL CONTACTS:  
www.hunza.co.nz/contacts.php

Specifications may change without notice.  
Manufactured in New Zealand.  
© 2014 Hunza Holdings Ltd.

## Luminaire Construction

CNC finished machined from one of the following metals:

Investment cast in solid bronze with forge mounting plate.

Investment cast in 316 stainless steel with investment cast 316 stainless steel mounting plate.

## Luminaire Weight

SBZ .820kg (1lb 12oz)  
SS .750kg (1lb 10oz)

## Features

### Lens

2mm (3/32") frosted tempered shatter resistant glass.  
Lifetime Warranty.

### Gasket

Nytrol 150°C (302°F)

### Mounting

Mount using a mounting plate fixed to the wall, etc. with 316 stainless screws. The luminaire is then fitted to the back plate using two pan head screws.

## Technical Information

### Standards

IP66 UL 1838

### LED

Cree XTE Plug-and-Play, field replaceable LED board.

**Lumen Output:** 70 @ 350mA  
120 @ 700mA

**Lumens Per watt:** 70 @ 1 watt  
60 @ 2 watts

**CRI Warm White (3000k):** 85+  
**Colour Temp:** 3,000 or 4,000K

### Power Supply

#### External (Series) Driver

Constant current driver  
Output: 3vdc at 700mA maximum

#### Integral 12 Volt Driver

Buckbullet Driver:  
Input: 12vac 3watt at 700mA  
Output: 3vdc nominal, 350mA or 700mA

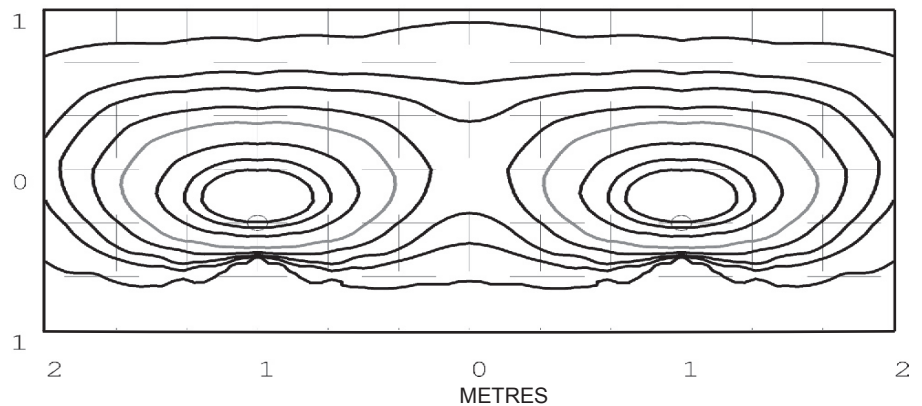
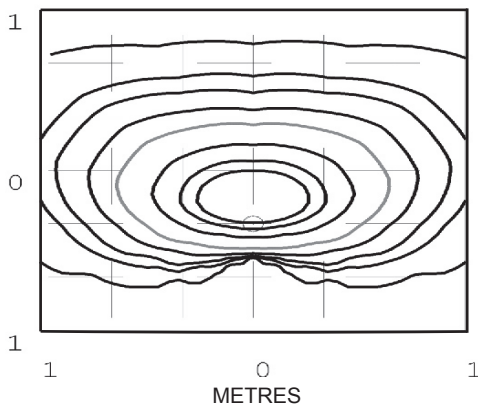
#### Transformer

Hunza wall Mount Transformer for use with integral 12 volt driver

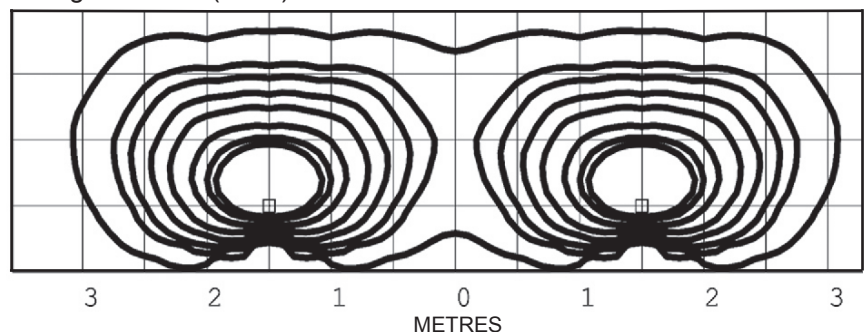
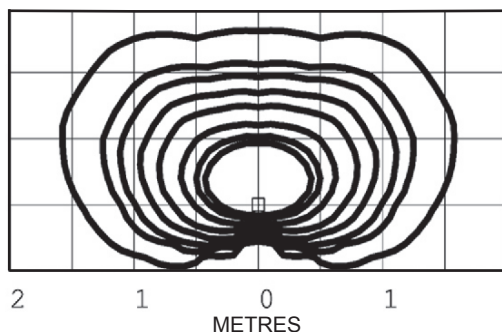
#### Retro 110/240 volt Driver

HUNZA Plug and Play Driver  
Input: 120/240 vac 7 watt  
Output: 6 dc 700mA

Mouse Lite PURE LED driven at 350mA - Lens height 400mm (15<sup>3</sup>/<sub>4</sub>"



Mouse Lite PURE LED driven at 700mA - Lens height 400mm (15<sup>3</sup>/<sub>4</sub>"



**HUNZA**™ PURE OUTDOOR LIGHTING

HUNZA FACTORY  
130 Felton Mathew Ave  
Saint Johns  
Auckland 1072  
New Zealand

Ph: 64-9-528 9471  
Fax: 64-9-528 9361  
hunza@hunza.co.nz  
www.hunza.co.nz

INTERNATIONAL CONTACTS:  
[www.hunza.co.nz/contacts.php](http://www.hunza.co.nz/contacts.php)

Specifications may change without notice.  
Manufactured in New Zealand.  
© 2014 Hunza Holdings Ltd.