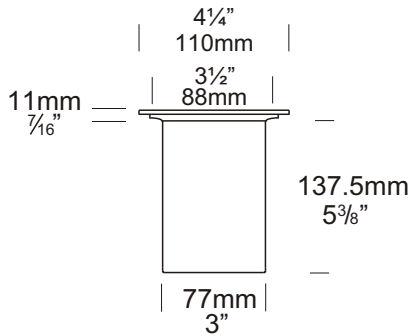


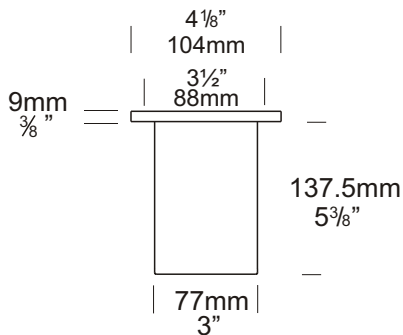
Flush Floor Lite

Cat. No. FFLSP

Cat. No. FFLSPsq



Flush Floor Lite Square



Flush Floor Lite



The Flush Floor Lite has been designed to mount flush with the level of a pathway, hotel floor or a building foyer. The 'Flush Fit' lens stops water pooling and depositing dirt on the lens. There is no lip to trip over and the luminaire can be driven over or walked upon without being damaged.

The square shape of The Flush Floor Lite Square makes it ideal for mounting in tiled areas.

Ordering Information

Luminaire Type	Material	Accessories
FFLSP - Flush Floor Lite	SS - 316 Stainless Steel	CJK150 - Cable Joint Kit
FFLSPsq - Flush Floor Lite Square	COP - Copper Body with Bronze ring and Stainless Steel Canister body.	LENS - Dichroic Coloured Lens HCL - Hex Cell Adaptor LENSSPREAD - Linear Spread Lens LENSSTEPF - Frost Lens
		For an alternative LED option start at page 10.4

Ordering Example: FFLSP SS - Flush Floor Lite
316 Stainless Steel

LENS B - Blue Lens

HUNZA™ PURE OUTDOOR LIGHTING

HUNZA FACTORY
130 Felton Mathew Ave
Glen Innes
Auckland 1072
New Zealand

Ph: 64-9-528 9471
Fax: 64-9-528 9361
hunza@hunza.co.nz
www.hunza.co.nz

INTERNATIONAL CONTACTS:
www.hunza.co.nz/contacts.php

Specifications may change without notice.
Manufactured in New Zealand.

© 2009 Hunza Holdings Ltd.

Ver 1.4

Luminaire Construction

CNC machined from:

Body:

316 Stainless Steel or Copper
63.5mm (2½") x 9mm (11/32").
End Cap - 316 Stainless Steel or
Copper 63.5mm (2½") rod.

Canister:

Stainless Steel: 316 Stainless Steel
Canister 148.5mm (5½") x 1mm (3/64").

Copper: Bronze ring and 316
Stainless Steel Canister body
148.5mm (5½") x 1mm (3/64").

Flange:

316 Stainless Steel or Copper
104mm (4 1/8").

Flange Square:

316 Stainless Steel or Copper
110mm (4 3/4") x 110mm (4 3/4").

Mounting

The luminaire is pushed into the
canister and is held by one silicone
"O" ring: Cast into concrete, brick,
concrete block etc.

Maximum drive over speed 10 km/h
(6 mph) and maximum vehicle
weight 1500kg (3300lbs).

Features

Lens:

10mm (3/8") thick 'Flush Fit' clear
tempered shatter resistant glass.

Life Time Warranty.

Gasket:

Silicone, iron impregnated 220°C
(428°F).

Lamp Holders:

GU5.3 - 350°C (662°F) ceramic multi
contact lamp holder with 250°C
(480°F) teflon cables.

Accessories:

Cable Joint Kit (Cat. CJK150).

Frosted Lens (Cat. LENSSTEPF).

Hex Cell Louvre Adaptor (Cat. HCL)
(Note: Supplied as standard for
USA/Canada).

Dichroic Coloured Lens (Cat. LENS)
(Refer to Sheet no. 10.8).

Linear Spread Lens (Cat.
LENSSPREAD).

Standards

EN60598

IP68



UL1838

Luminaire Weight

SS 1.50kg (3lb 5oz)
COP 1.70kg (3lb 12oz)

Power Supply

HUNZA™ Inground or Wall Mount
Transformer: not included.

USA and Canada:

HUNZA™ Wall Mount Transformer:
not included.

Luminaire: supplied with

MR16 GU5.3 20 watt lamp max.

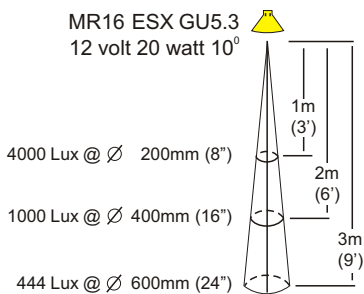
LED - Refer sheet no. 10.4

USA and Canada:

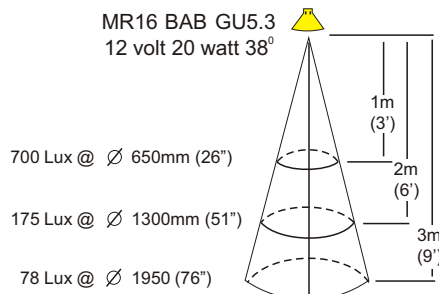
MR16 GU5.3 20 watt lamp max.

LED - Refer sheet no. 10.4

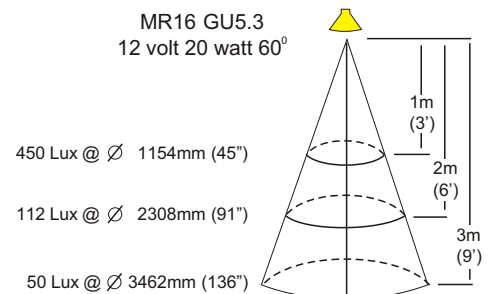
MR16 ESX GU5.3
12 volt 20 watt 10°



MR16 BAB GU5.3
12 volt 20 watt 38°



MR16 GU5.3
12 volt 20 watt 60°



HUNZA™ PURE
OUTDOOR
LIGHTING

HUNZA FACTORY
130 Felton Mathew Ave
Glen Innes
Auckland 1072
New Zealand

Ph: 64-9-528 9471
Fax: 64-9-528 9361
hunza@hunza.co.nz
www.hunza.co.nz

INTERNATIONAL CONTACTS:
www.hunza.co.nz/contacts.php

Specifications may change without notice.
Manufactured in New Zealand.

© 2009 Hunza Holdings Ltd.

Ver 1.4