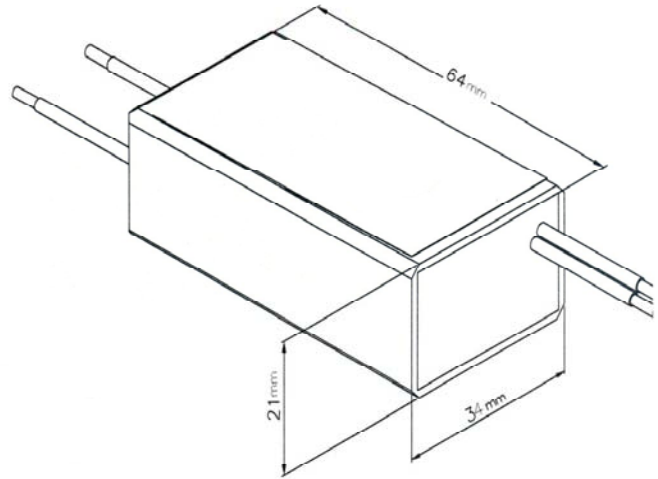


## Electrical

Maximum load	75W
Minimum load with dimmer	20W
Input	216-264V 50/60Hz
Output at Max. load	11.8V 40kHz
Input current at Max. load	0.32A
Output current at Max. load	6.25A
Power factor Min.	0.95
Dimmable	
EMC (RFI)	EN 55015
Harmonics	EN 61000
Safety	EN 61347
Immunity	EN 61547/61047
SELV	



## Mechanical and Thermal

Dimensions (mm)	21 x 34 x 64
Weight	100 grams
Lead wire length	6"
Tc Max	80°C
Ta Max	50°C
Output wire –	Black 16AWG 150°C
Input wire –	Blue, Brown Fep+Fep 0.75mm <sup>2</sup>
	450V 180°C
Waterproof potting	
PC plastic casing	



## Safety Instructions:

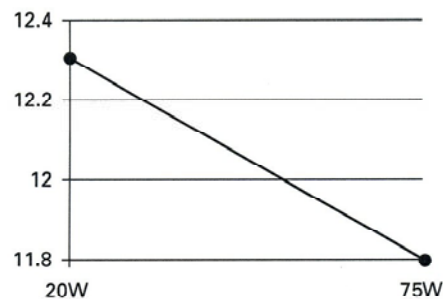
1. Please note national installation regulations.
2. The measurement of secondary voltage can only be done with suitable measuring instruments.
3. Wire diameter:  
Input - 0.75mm<sup>2</sup>.  
Output - 1.3mm<sup>2</sup>.

## Standards

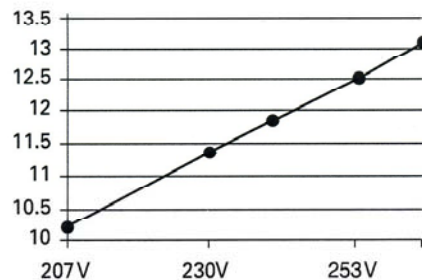
VDE and VDE-EMV approved  
Transformer meets CE standards



## Output Voltage vs. Load at 240V



## Output vs. Input at Max. Load



## Short Circuit and Thermal Protection

Electronic internal resettable short circuit protection. Auto-Reset thermal cut-off @ 125C.

